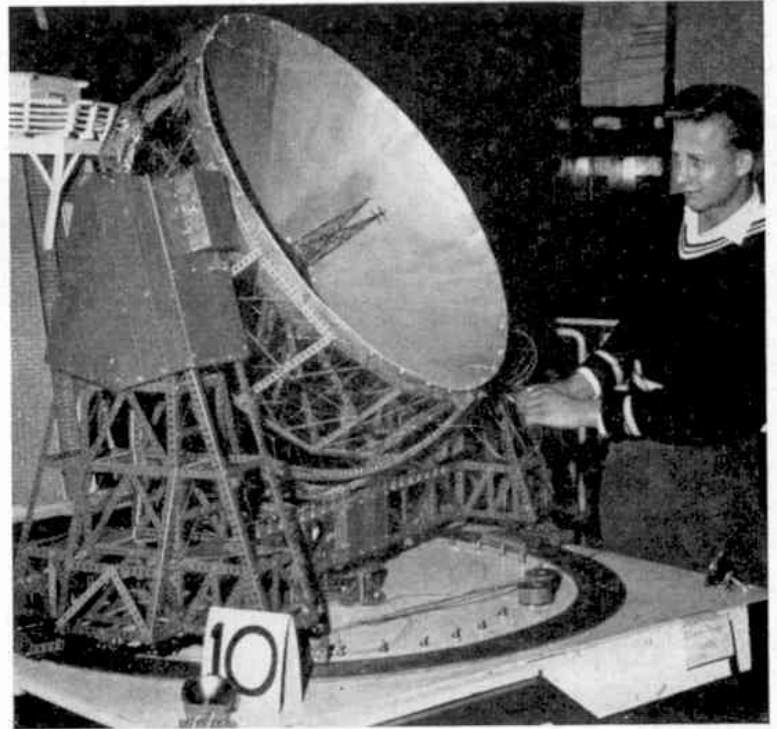


Among the Model- Builders

By "Spanner"

Meccano at the Rand Hobbies Fair

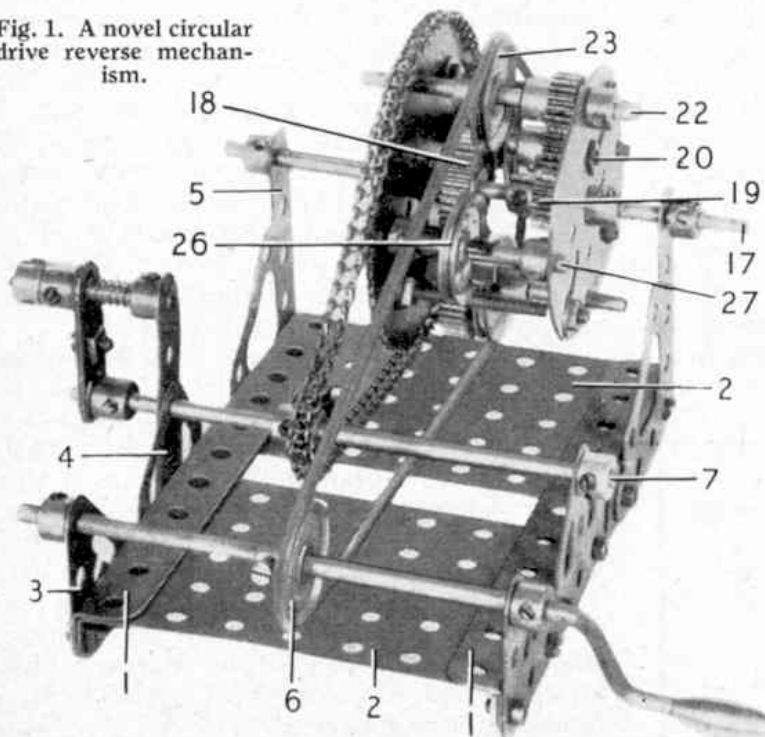
Britain's great radio-telescope at Jodrell Bank has tempted many model-builders to test their skill in modelling it in Meccano, and indeed I have heard of some very attractive and realistic models that have resulted. Now I have received news of another example built by a Meccanoite in South Africa, which succeeded in winning the First Prize at the Rand Hobbies Fair this year. It was built by Manfred Gutenberg, of Discovery, Transvaal, who is seen in the illustration on this page demonstrating his model.



Manfred Gutenberg, Discovery, Transvaal, demonstrating his fine model of the Jodrell Bank Radio-telescope, at the Rand Hobbies Fair.

First Prize, Manfred was also presented with the "Award of Merit", as his model was considered the best in all classes. Runner-up to Manfred was E. Bluemfeld, Yeoville, whose model of a Gantry Crane was exceptionally well built and attracted a great deal of attention. The Fair covered hobbies of many different kinds and, as always, attracted many visitors.

Fig. 1. A novel circular drive reverse mechanism.



Circular Drive Reverse Mechanism

To construct this mechanism, which is shown in Figs. 1 and 2, first bolt two $5\frac{1}{2}$ " Angle Girders 1 to the flanges of two $3\frac{1}{2}$ " \times $2\frac{1}{2}$ " Flanged Plates 2, at the same time placing the three pairs of bearings 3, 4, and 5 in position. Mount a Crank Handle with a 1" Pulley 6 fitted to it, in the Corner Brackets 3. Now secure to a $4\frac{1}{2}$ " Rod 7 a $\frac{3}{4}$ " Sprocket Wheel 8 and a Crank 9. Bolt another Crank 10 to the Crank 9, and place a spring loaded $1\frac{1}{2}$ " Rod 11 freely in the boss of the Crank 10. By pulling the Collar 12 the end of the Rod 11 can be withdrawn from the hole in Strip 13. A Face Plate 14 is attached to a 3" Sprocket Wheel 15 with two 2" Screwed Rods 16, care being taken to ensure that