

Easy Model-Building

"Spanner's" Special Section for Juniors

Sand Yacht

The chassis frame of the Sand Yacht, which is shown in Fig. 1, is built up from two $5\frac{1}{2}$ " Strips joined at one end by a Flat Trunnion 4 and at the other by two $2\frac{1}{2}$ " Double Angle Strips 1 placed together. The lugs of one of the Double Angle Strips form the bearing for the front axle, which is a $3\frac{1}{2}$ " Axle Rod carrying two 1" Pulleys fitted with Tyres. Two Trunnions bolted to the other ends of the $5\frac{1}{2}$ " Strips form the bearings for the other axle which is a 2" Axle Rod held in place by Spring Clips and fitted with an 8-hole Bush Wheel.

The mast is a $5\frac{1}{2}$ " Strip fixed by an Angle Bracket to a $2\frac{1}{2}$ " Strip to one end of which is bolted a Fishplate held by bolt 2, the Fishplate in turn being bolted to one of the $5\frac{1}{2}$ " Strips forming the frame. The other end of the $2\frac{1}{2}$ " Strip is bolted to the second $5\frac{1}{2}$ " Strip.

The sail is a piece of paper or cloth and is edged by a $2\frac{1}{2}$ " Strip and a $5\frac{1}{2}$ " Strip, which is connected to the Flat Trunnion at the rear by an Angle Bracket. Two Curved Stepped Strips are bolted to the extended $2\frac{1}{2}$ " Strip as shown in the photograph.

A Flat Trunnion 3 is bolted through its apex hole to the Double Angle Strips at the front to form a small deck.

Parts required to build the Sand Yacht:- 4 of No. 2; 2 of No. 5; 1 of No. 10; 2 of No. 12; 1 of No. 16; 1 of No. 17; 2 of No. 22; 1 of No. 24; 2 of No. 35; 16 of No. 37a; 16 of No. 37b; 2 of No. 48a; 2 of No. 90a; 2 of No. 126; 2 of No. 126a.

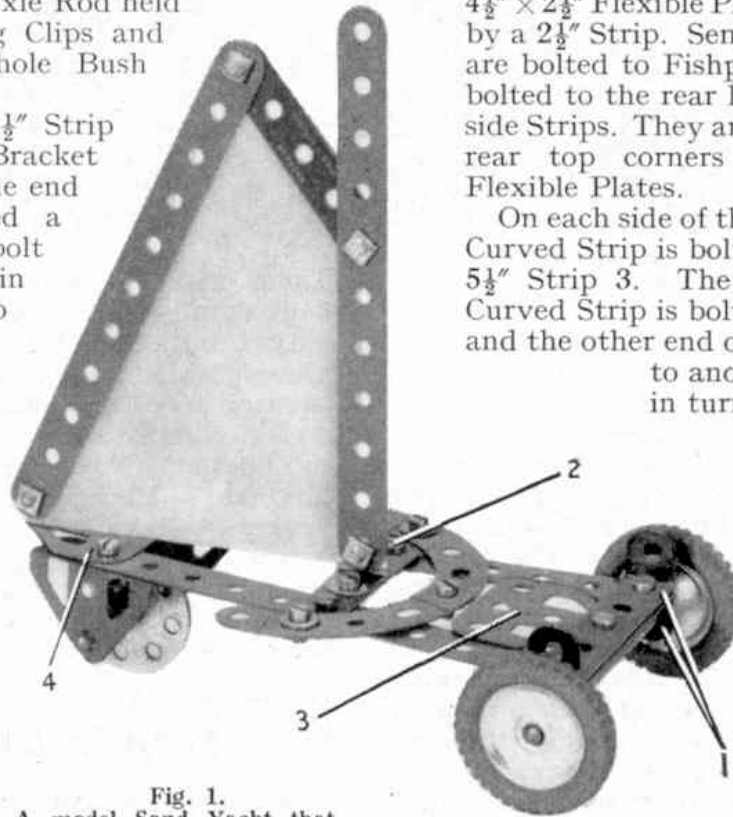


Fig. 1.
A model Sand Yacht that forms a novel subject for young model-builders.

Saloon Car

The attractive Saloon Car, shown in Fig. 2, can be built from parts in Outfit No. 3. The chassis is a $5\frac{1}{2}$ " \times $2\frac{1}{2}$ " Flanged Plate, to each side of which two $5\frac{1}{2}$ " Strips are bolted overhanging it by four holes at the rear and three holes at the front. These Strips hold a $5\frac{1}{2}$ " \times $1\frac{1}{2}$ " Flexible Plate 1 in position. The sides of the chassis are joined together at the rear end by a $4\frac{1}{2}$ " \times $2\frac{1}{2}$ " Flexible Plate bolted to Angle Brackets fixed to the side Strips. The lower edge of the $4\frac{1}{2}$ " \times $2\frac{1}{2}$ " Flexible Plate is strengthened by a $2\frac{1}{2}$ " Strip. Semi-Circular Plates 2 are bolted to Fishplates that are also bolted to the rear holes of the chassis side Strips. They are also bolted to the rear top corners of the $5\frac{1}{2}$ " \times $1\frac{1}{2}$ " Flexible Plates.

On each side of the model a Stepped Curved Strip is bolted at one end to a $5\frac{1}{2}$ " Strip 3. The other end of the Curved Strip is bolted to a $2\frac{1}{2}$ " Strip 4 and the other end of this Strip is fixed to another $2\frac{1}{2}$ " Strip that in turn is bolted to Strip

3. The sides of the body are joined together by a $2\frac{1}{2}$ " \times $\frac{1}{2}$ " Double Angle Strip 5. The top of the windscreen consists of a $2\frac{1}{2}$ " Strip bolted to two Angle Brackets. The roof is a $2\frac{1}{2}$ " \times $2\frac{1}{2}$ "

Flexible Plate bolted to Angle Brackets, while the curved back portion is a $2\frac{1}{2}$ " \times $4\frac{1}{2}$ " Plate curved slightly and bolted to the same Angle Brackets.

The top of the bonnet is formed by two $2\frac{1}{2}$ " \times $1\frac{1}{2}$ " Triangular Flexible Plates overlaid by a $2\frac{1}{2}$ " Strip and bolted to the $2\frac{1}{2}$ " Double Angle Strip 5. The sides of the bonnet are $2\frac{1}{2}$ " \times $1\frac{1}{2}$ " Flexible Plates bolted to the Double Angle Strip 5 and to the $5\frac{1}{2}$ " \times $1\frac{1}{2}$ " Flexible Plates by the bolt 6. The radiator consists of a Flat Trunnion and a Trunnion bolted to a Wheel Disc. The

Trunnion is bolted, together with the front ends of the $2\frac{1}{2}'' \times 1\frac{1}{2}''$ Triangular Flexible Plates, to Angle Brackets bolted to the sides of the bonnet.

The built up side strips of the chassis are connected at the front by a $2\frac{1}{2}'' \times \frac{1}{2}''$ Double Angle Strip 7, in the centre hole of which a Formed Slotted Strip, shaped to form a bumper, is attached. The mudguards also are Formed Slotted Strips, with sides made up of Curved Stepped Strips.

Two $3\frac{1}{2}''$ Axle Rods, journalled in the second holes from the front and third holes from the rear of the chassis sides, carry 1" Pulleys with Rubber Rings to form the road wheels. The rear wheels are fixed to the Axle Rod while the front ones are free to rotate independently, but each of them is held in place by a Spring Clip.

The steering wheel is a Wheel Disc that is bolted through the end hole of a Formed Slotted Strip 8. The other end of this Strip is bolted to the Flanged Plate. The seat is a $2\frac{1}{2}'' \times 2\frac{1}{2}''$ Flexible Plate. It is bolted to a Reversed Angle Bracket, that in turn is

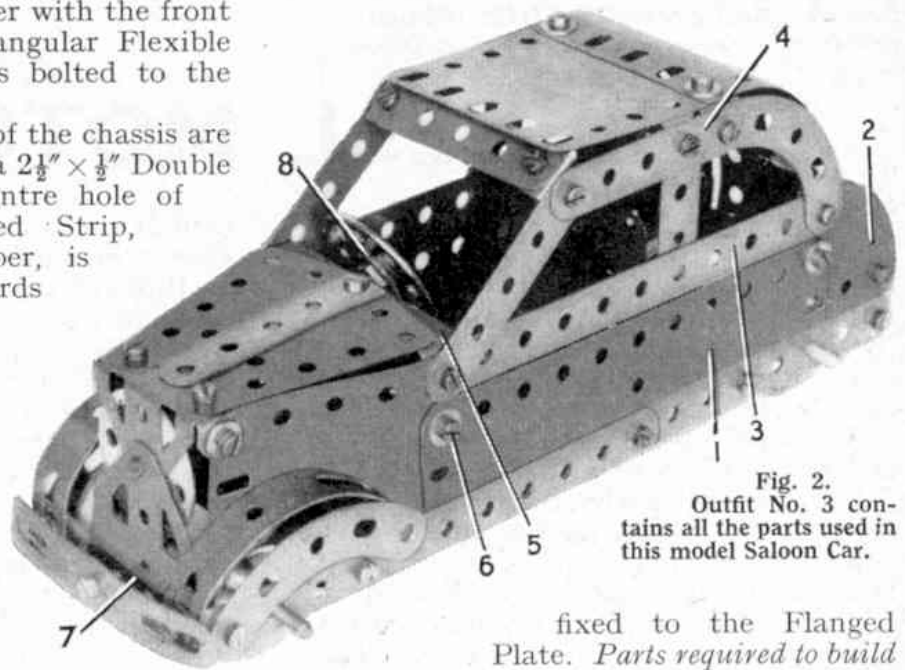


Fig. 2.
Outfit No. 3 contains all the parts used in this model Saloon Car.

fixed to the Flanged Plate. *Parts required to build the Saloon Car:* 6 of No. 2; 9 of No. 5; 2 of No. 10; 2 of No. 11; 8 of No. 12; 2 of No. 16; 4 of No. 22; 2 of No. 24a; 2 of No. 35; 47 of No. 37a; 46 of No. 37b; 11 of No. 38; 2 of No. 48a; 1 of No. 52; 4 of No. 90a; 1 of No. 111c; 1 of No. 125; 1 of No. 126; 1 of No. 126a; 4 of No. 155; 2 of No. 188; 2 of No. 189; 1 of No. 190; 1 of No. 191; 1 of No. 199; 1 of No. 200; 2 of No. 214; 4 of No. 215; 2 of No. 221.

A Competition Reminder

In the September *M.M.* we announced details of the Autumn Model-Building Competition, now open to model-builders of all ages in any part of the world. Since then a steady stream of entries has been arriving at our Binns Road Office. Is yours among them? Now the days are getting shorter this Competition provides readers with an excellent pastime for a cosy evening indoors. In addition to the pleasure obtained from actually building models for entry in the

THE PRIZES

The following prizes will be awarded in each of the Sections A and B.

First Prize — Cheque for £4 4s. 0d.

Second Prize — Cheque for £2 2s. 0d.

Third Prize — Cheque for £1 1s. 0d.

Five Prizes each of 10/6d.

Five Prizes each of 5/-d.

Certificates of Merit also will be awarded.

Closing Date: December 31, 1960.

Contest, there is the further incentive of striving for one of the many prizes offered.

The rules of the Competition are as follows: All models submitted must be original; that is, they must be designed and built by the competitor himself without assistance from anyone else. After the model is completed the next step is to obtain a photograph of it, but if this is not possible, a good sketch of the model should be prepared. The sketch or photograph need not be the competitor's own work. The next thing is to write your age, name and address in *Block* letters on the back of each photograph or sketch, and finally write a short description of the model, mentioning its principal features. Enclose this, together with the photograph or sketch, in an envelope addressed "Autumn Model-Building Competition, Meccano Ltd., Binns Road, Liverpool 13." *Please note that under no circumstances must the actual model be sent.*

The Competition is open to readers of all ages, living in any part of the world, and entries will be divided into two sections as follows: A, for competitors under 14 years of age on December 31 next; B, for competitors aged 14 or over on that date.