

LIVE-STEAM LOCO

GLOBE-TROTTER WINNER



BRINGING A TOUCH of undisguised beauty to the cover of last December's MM was a striking picture of an early American railway locomotive modelled in Meccano. It was, as mentioned in the cover caption, the winning model from the 1972 Meccano Globe-trotter Competition and the same model is now illustrated here, in sectional detail, for the benefit of readers interested in reproducing it.

However, although full building instructions have been prepared, we have been unable to include them in these pages. They, alone, would have filled-up nearly the whole magazine! We have therefore printed the instructions separately and will be delighted to supply a copy to any reader wishing to build the loco. Just drop a line to Meccano Magazine Quarterly, Binns Road, Liverpool L13 1DA, enclosing a stamped addressed envelope (minimum length 8½").

We regret that we can supply only one free copy to each interested reader. Additional copies will be supplied on request, but will be charged for at a rate of 12½p each, plus 2½p postage.

DUPLICATE MODEL

In actual fact, the model illustrated is a duplicate of the original prize-winning loco, built by our Model Department for display purposes. The original remained the property of its builder and was available to us for a limited time only.

The original, itself, was the handywork of 11 year-old Mark Knowles of Laverstock, Salisbury, Wilts. Despite his tender years, Mark is a very competent modeller, as witnessed by the fact that he built his model almost entirely by himself. He did receive a certain amount of assistance from his father, but this was primarily in the form of advice, rather than actual model-building aid, and was permitted within the contest rules.

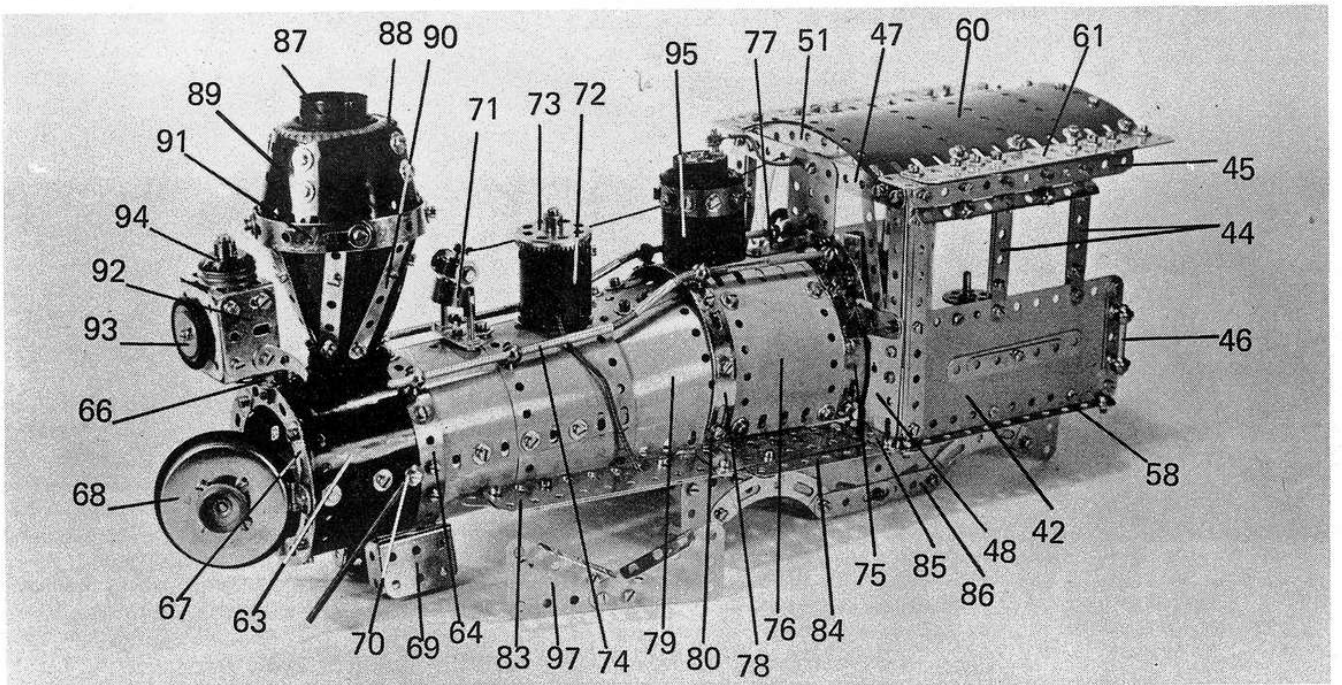
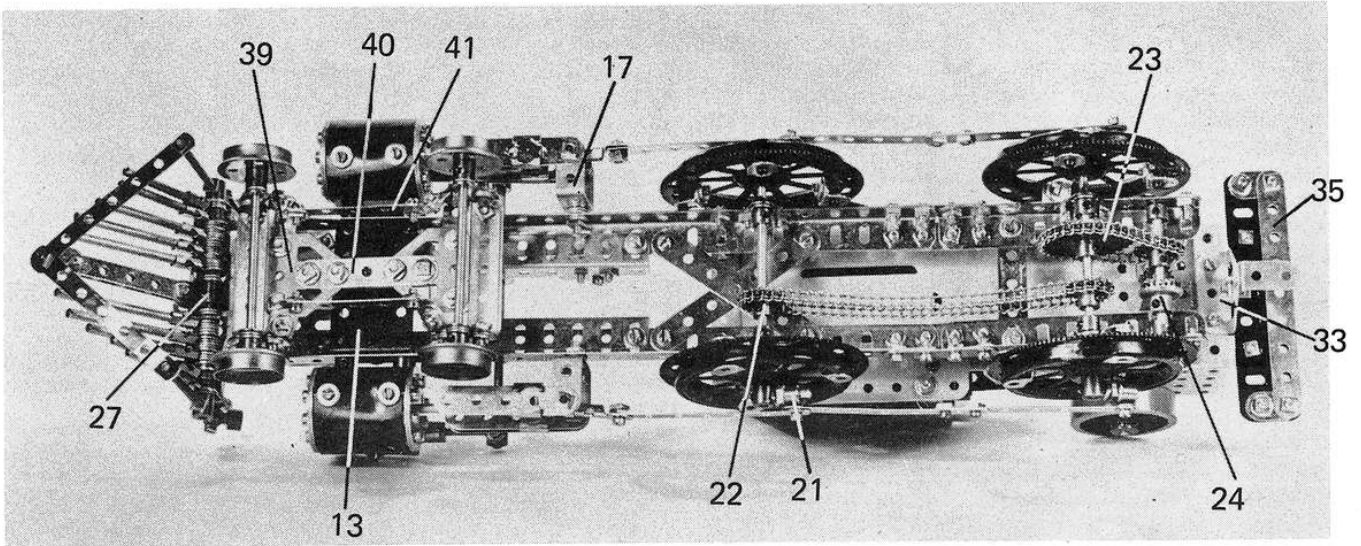
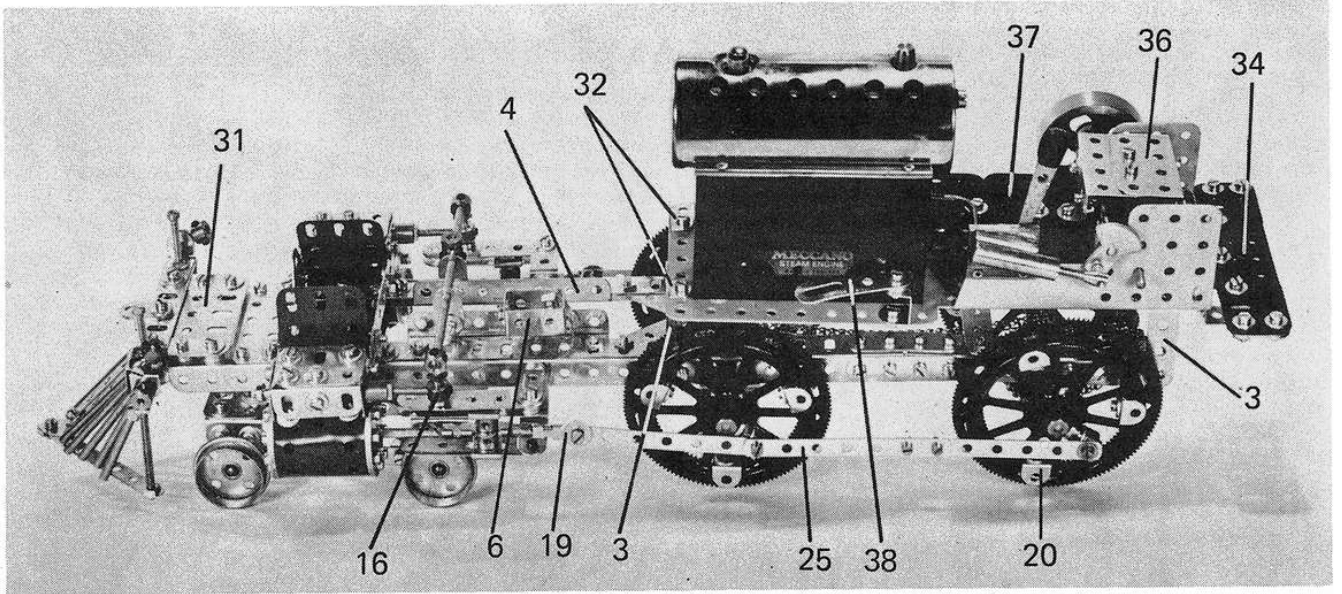
JUDGING

The Globe-trotter Competition closed early last summer and the winner was subsequently selected by a distinguished panel of judges, headed by Sir Alec Issigonis, designer of the famous British Leyland Mini Car and himself a Meccano modeller of long-standing. Sir Alec's co-judges were Mr. H. J. Fallmann, Managing Director of Meccano Ltd., Mr. Michael Riddle, B.O.A.C. Passenger Manager for the Midlands, and Mr. Frank Casey, Managing Director of Brunnings Advertising and Marketing (Liverpool) Ltd., Meccano's co-advertising agents and the people who first devised the Globe-trotter contest. Judging was difficult, to say the least, but we can truthfully report that all four judges – quite independently of each other – selected Mark's model as the winner. The choice was unanimous.

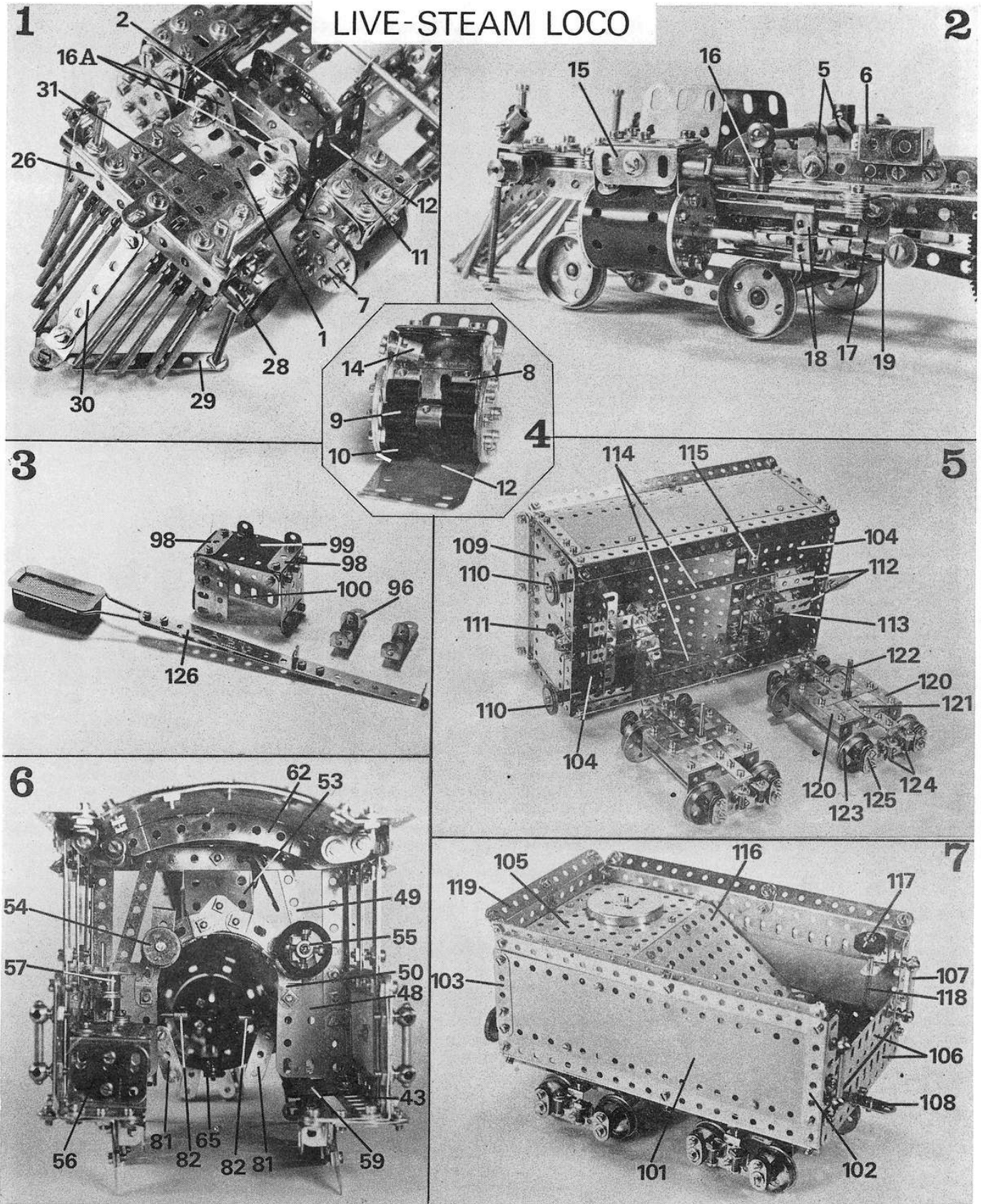
Mark based his model on a real-life locomotive preserved in Walt Disney World, Florida, U.S.A. It was not of course intended as an exact reproduction, but

Continued on page 20.

Illustrated above, Globe-trotter winner Mark Knowles with his prize loco. Opposite page: top, side view of chassis; centre, underside view of chassis; bottom, bodywork removed from chassis. More photos on page 6.



LIVE-STEAM LOCO



1. A close-up view of the front end of the chassis, with the cow-catcher. 2. Side view of chassis front showing the driving cylinder. 3. The flywheel cover, cab-access steps and methyated spirit burner. Note the extension to the burner handle. 4. A close-up view of the driving cylinder, partially opened to show the internal use of Threaded Bosses and Insulating Spacers. 5. An underside view of the tender, with its bogies. 6. A rear view looking into the cab. 7. A general view of the tender.

LIVE-STEAM LOCO *continued from page 4.*

more a representation of the type of loco and it undoubtedly achieves its desired aim. It certainly captures the feeling and atmosphere of the subject. The crowning feature of the model, however, is the fact that it is a live-steam locomotive. It incorporates the Meccano Steam Engine and will actually run under its own power; hissing, chuffing and bubbling away like a living thing! Speed is slow — but the effect is splendid!

As can be seen from the accompanying photographs, the model carries plenty of intricate detail. Equipped with a 4-4-0 wheel arrangement. It measures almost 3 feet from cow-catcher to tender rear buffers, has an overall height of 1 foot and a maximum width of 7 inches. Drive from the Steam Engine crankshaft is geared down between the Engine sideplates and transferred to the rear main driving wheels by Sprockets and Chain. The Steam Engine spirit burner is fed to its heating position through the smokebox door at the front of the built-up loco boiler and the boiler is sufficiently large to enable the door to be closed with the burner in position. Like any model, of course, there are certain aspects of the loco which could be improved if an unlimited supply of parts were at the builder's disposal, but Mark has nonetheless produced a first-class construction, worthy of the highest praise.

TRIP TO AMERICA

As first prize in the Globe-trotter competition, Meccano undertook to fly out the winner and a companion by B.O.A.C. Earthshrinker jet to see the real thing on which the model was based. Accordingly, on 30th November last year, Mark and his father left London Airport for an 8-day luxury holiday in Florida, U.S.A. During the trip they visited Walt Disney World and saw the original

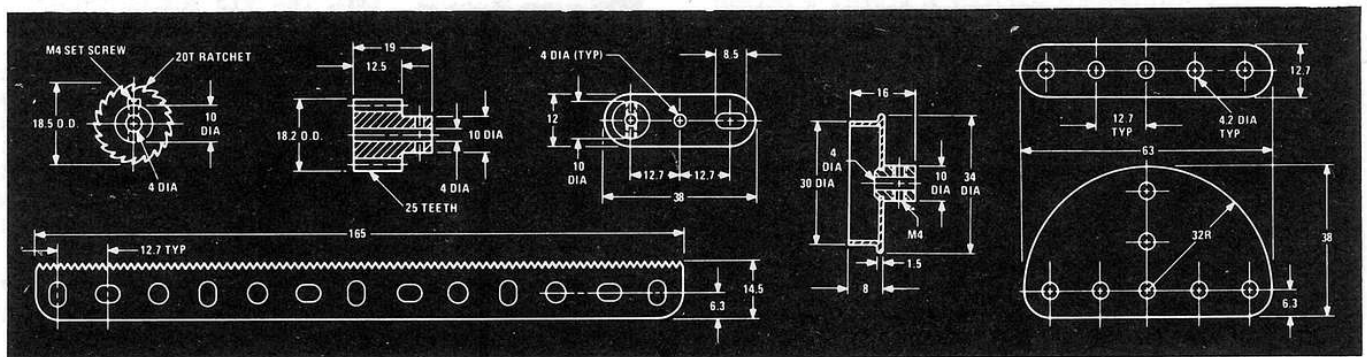
MECCANO PARTS CHECKLIST

M.W. Publications, based at 165 Reading Road, Henley-on-Thames, Oxfordshire, have just published a 56-page manual entitled "Meccano Parts Checklist" which will undoubtedly be of considerable value to Meccano enthusiasts, especially those who possess a comprehensive selection of current, obsolete and 'odd' Meccano parts.

The manual was compiled by Mike Nicholls and its primary aim is to enable the Meccano enthusiast to record the contents of his outfit in the form of an inventory. Apart from this however, it contains a wealth of interesting, enlightening and extremely valuable detailed information. For example, it lists each and every current and obsolete Meccano part ever produced, including Plastic Meccano parts, electric parts, electronic parts, Clock Kit parts and Multikit parts. It also gives supplementary information on clockwork motors, electric motors, steam engines, tools, oilcans and even paint!

The Checklist has been produced in a 'landscape', A4 (11¾" x 8½") format, and has removable pages which are held together by a strong, plastic clip — binder. It is available direct from M.W. Publications at a cost of 75p.

locomotive in operation at the giant pleasure park. They also witnessed the blast-off from Cape Kennedy of the Apollo 17 moonshot, had a flight in a helicopter and generally enjoyed the holiday of a life-time. No doubt Mark came back with plenty of ideas for new Meccano models!



**Add a new dimension
to MECCANO®**

Our brand new Meccano catalog features the complete line of standard mechanical parts with detailed dimensions and specifications.

The catalog is a must for creators of original Meccano models and for those who are using Meccano components in other areas, such as the construction of industrial and scientific prototypes, educational models, and for building that "better mouse trap".

To get your copy of the fully-dimensioned Meccano parts catalog, send 30¢ ppd. (for airmail outside the U.S., \$1.00 ppd.) to STOCK MODEL PARTS, 54 South Denton Avenue, New Hyde Park, New York 11040.

Also Available: A new, comprehensive handbook of metric small drive components. The handbook features hundreds of off-the-shelf components, such as gears, shafts, bearings, couplings, pulleys, linkages, etc., plus an extensive technical reference section for working with metrics. Send 95¢ ppd. (for airmail outside the U.S., \$1.95 ppd.) to Stock Model Parts.

Exclusive U.S. distributors of customized kits and industrial products for MECCANO

**STOCK
MODEL
PARTS**
DIVISION OF DESIGNATRONICS