

# AMONG THE MODEL-BUILDERS

Continued

angled up at one end by two 2½" Strips and fitted with a 4½ volt electric motor carrying a 2" Pulley on the output shaft.

Equally simple is the Rocket, itself, this consisting of a Double Bent Strip 1 in which a 3" Rod is held by Spring Clips, a Collar being fixed on one end of the Rod. The Pulley unit is supplied by a ½" Pulley without boss on a 1½" Rod held by Spring Clips in two Trunnions which are bolted to a 3½" Flat Girder.

The idea is that the Pulley unit is attached to a suitable point above ground level – perhaps tied to a table leg, for instance – and the launching platform placed at a point beneath, and away from it, on the ground. A length of Cord is then threaded through the holes in the Double Bent Strip of the Rocket, is passed round the Pulley in the upper unit and around the motor Pulley, after which the ends of the Cord are tied together to result in a continuous loop. Thus, when the motor is operated, the Rocket "flies" either up or down depending upon the direction in which the motor drives.

As I say, it's a simple idea, but one which could provide a lot of fun for young modellers.

## PARTS REQUIRED

2- 5	1-23	2-38	1- 59
1-16b	4-35	1-40	1-103d
1-18a	10-37a	1-45	2-126
1-20a	10-37b	1-52	1- 4½ v
			Motor

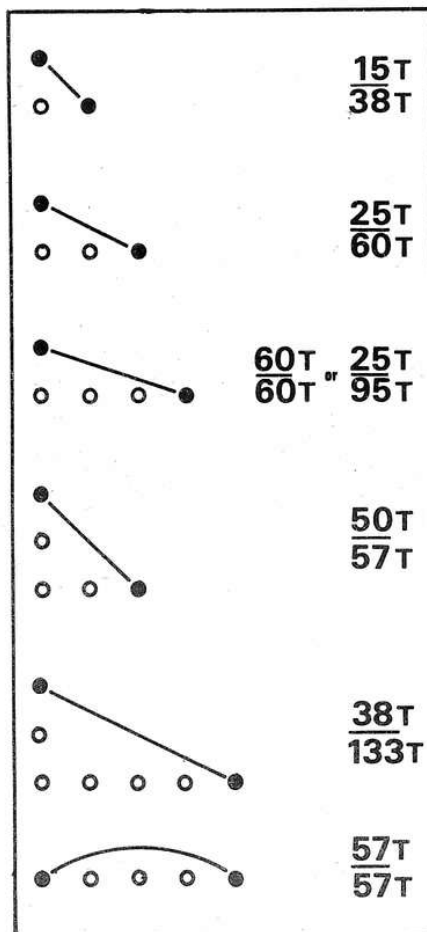
## PARTS STORAGE

Another item in the last MMQ has also prompted Mr. R.S. Draper, of Grays, Essex, (author of "Among the Model Buildings," Oct. '75 MMQ) to send in a useful hint. "I was especially interested in Mike Nicholls' 'Stow It' item in January's Meccano Miscellany," he wrote. "I have found that the majority of Meccano Strips, Plates and Angle Girders (up to 12½") in length) store very easily in wooden cutlery boxes purchased from Woolworth's stores. I have sub-divided some of the boxes to contain such smaller items as Collars, Couplings, 2½" Strips, etc," explained Mr. Draper. "In other cases I have taken the dividers out for open storage items such as Hub Discs; etc.," he concluded.

Sounds like a good idea, to me, although I must confess I don't know the price of the boxes!

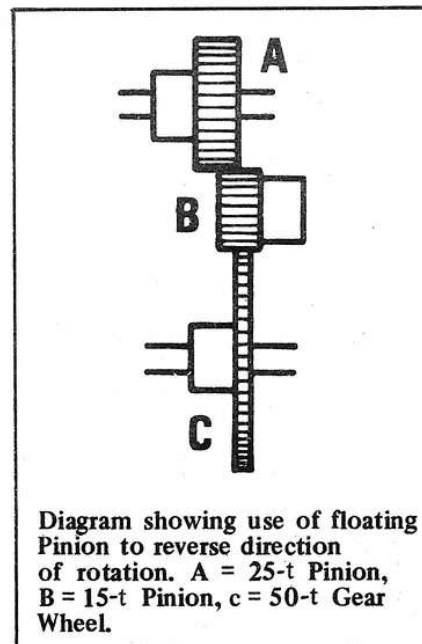
## NON-STANDARD SPACING

To finish on a completely different subject, advanced Modellers will know that there can be occasions where space in a model demands the use of out-of-line gearing, or where special gear ratios are required necessitating the use of Gears at non-standard-spacing. Mr. R.R. Hauton of Lincoln has looked at the problem and has kindly provided the following information as to the Gears that will mesh when mounted at the spacings indicated, the black dots representing the holes in which the supporting axles would be mounted:

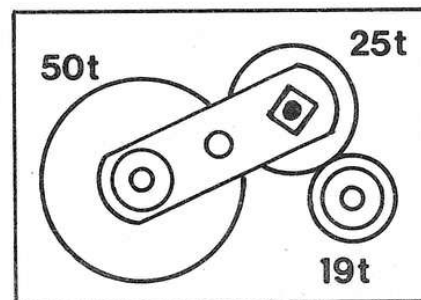


In addition to the above, Mr. Hauton says that, "For some difficult ratios, the unorthodox may be permissible, e.g. linking a Gear Wheel with a Sprocket Wheel via Sprocket Chain (Sprockets provide the factors 7 or 9 in compact arrangements)." He further goes on to say that in some arrangements, "A floating Pinion

is sometimes needed to correct the direction of rotation. One example may help:



"The 19-teeth Pinion can be locked in the slotted hole of a Crank with a ¾" Bolt and two Nuts, the boss of the Crank being bolted to the frame of the supporting structure. Occasionally, a Gear is required to rotate free in one direction, and to do this a floating Pinion is pivoted on the Crank, but the Crank boss is loosely journaled on the shaft taking one of the Gears, thus:



"This device can replace the free wheel made up of Pawls and Ratchet Wheel in some clocks, etc.," says Mr. Hauton.

And I leave the last word to Mr. Hauton, himself. "One bit of advice," he says: "Look after your Gears carefully. The teeth are easily damaged if such parts are carelessly stored. I keep my Gears with bosses bedded in polystyrene tiles and it pays off in smooth running."