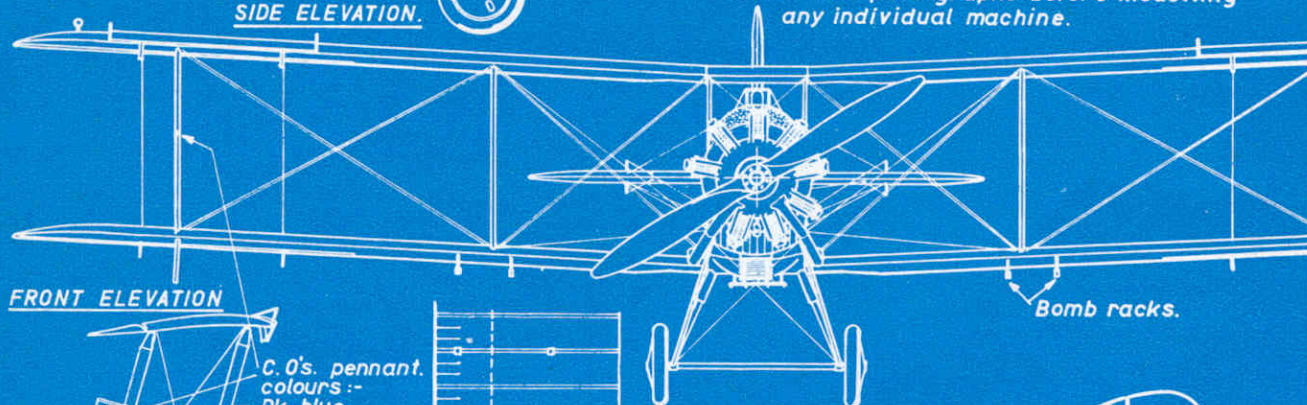


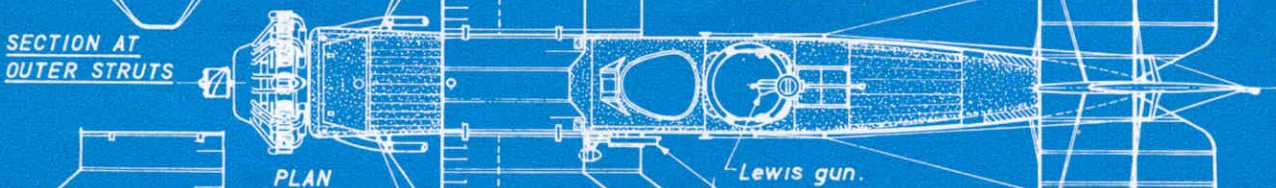
**NOTE** Wapiti aircraft varied considerably in detail, check with photographs before modelling any individual machine.



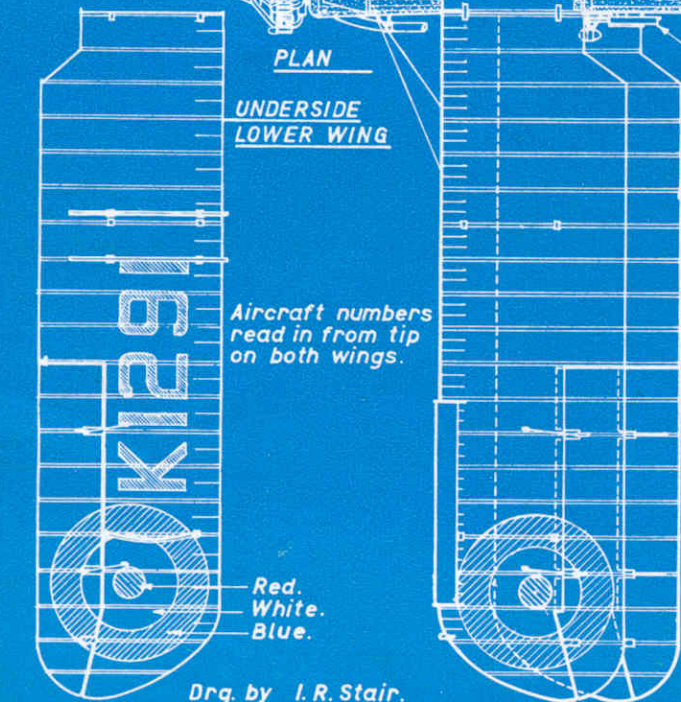
**FRONT ELEVATION**



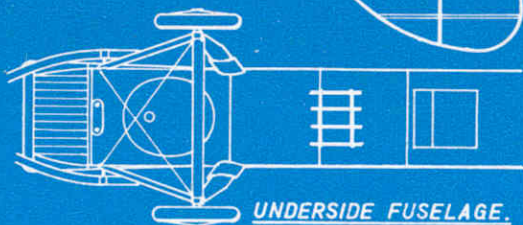
**SECTION AT OUTER STRUTS**



**PLAN**



**UNDERSIDE LOWER WING**



**UNDERSIDE FUSELAGE.**

**WESTLAND WAPITI Mk IIA.**  
**BRISTOL JUPITER ENGINE.**

K.1291. - Commanding Officers aircraft No. 27 (Bomber) Squadron, Kohat, India, 1936.

**COLOURS :-**  
Wings, rear fuselage, tail unit - silver.  
Forward fuselage, undercarriage - bright aluminium. Fuselage top - dark grey.  
Struts, guns, tyres, engine, exhaust pipes, oil cooler, bomb racks, - black.

Drg. by I. R. Stair.

SCALE 0 5 ft.