

A New Clock Mechanism

A Fine Subject for Skilled Model-Builders

A CLOCK is one of the most satisfying subjects for Meccano model-builders. Nothing could be more fascinating than setting a clock constructed entirely from Meccano parts to work, and seeing how it ticks off the seconds and marks up the hours with literally "clockwork regularity."

This month we are describing a new and up-to-date clock mechanism that can be incorporated in the grandfather type of casing, or if desired, in the smaller type of case, usually known as the "granddaughter" type. The mechanism is weight driven, and once the escapement mechanism is "set" the clock will keep excellent time and will run for about eight hours on one winding.

The housing for the mechanism is made by bolting two $12\frac{1}{2}$ " Angle Girders at each side to a $5\frac{1}{2}$ " \times $2\frac{1}{4}$ " Flanged Plate 1 and to a $5\frac{1}{2}$ " \times $2\frac{1}{4}$ " Flat Plate 2. The sides are connected at the rear by a $4\frac{1}{2}$ " \times $2\frac{1}{4}$ " Flat Plate 3, and by three $4\frac{1}{2}$ " Strips at each of the points indicated at 4, 5 and 6 (Fig. 3). A $5\frac{1}{2}$ " Angle Girder 7 is held inside each Flanged Plate by the same bolts that fix the $12\frac{1}{2}$ " Angle Girder in position, and Girders 7 are connected by two $4\frac{1}{2}$ " \times $2\frac{1}{4}$ " Flat Plates 8. Two

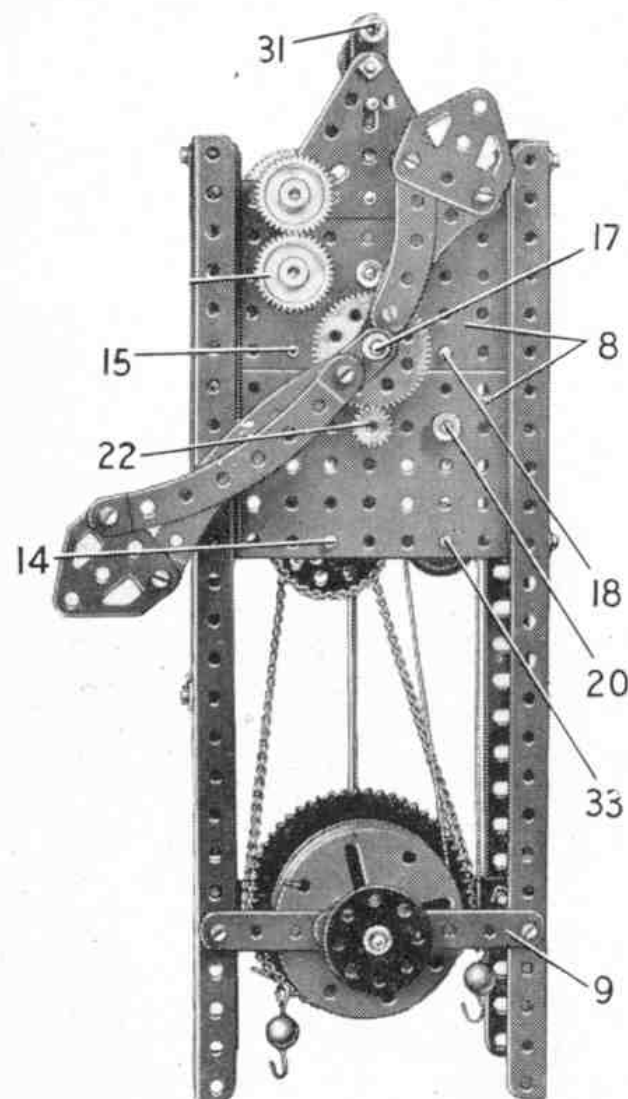


Fig. 1. A weight-driven timekeeping mechanism that can be used in either a wall or a grandfather type clock.

$4\frac{1}{2}$ " Strips 9, placed face to face, are bolted in place as shown in Fig. 3. A $2\frac{1}{2}$ " Triangular Plate is fixed to the Flat Plate 3 and the upper Flat Plate 8, and the Triangular Plates are extended upward by $1\frac{1}{2}$ " Strips 10.

A double winding barrel for the Cords supporting the weights is assembled from three Wheel Flanges and three Face Plates. Two of the Wheel Flanges are placed between two Face Plates to make the drum for one of the Cords, and the second drum consists of a single Face Plate and Wheel Flange. The parts forming the drums are clamped tightly together by four $1\frac{1}{4}$ " Bolts, and the drums are fixed by the set-screws in the Face Plates to a 4" Rod. A Ratchet Wheel 11 is fixed on the Rod, and a 3" Sprocket 12 is free to rotate between the Ratchet and the Strips 6. The Sprocket is fitted with a Pawl 13, freely mounted on a $\frac{3}{4}$ " Bolt fixed by two nuts in the Sprocket. The Pawl is held against the teeth of the Ratchet by a $2\frac{1}{2}$ " Driving Band, which is passed through the hole in the Pawl and is looped over a $\frac{1}{2}$ " Bolt fixed by two nuts in the Sprocket. The bearings for the 4" Rod are reinforced by Double Arm Cranks bolted to Strips 6 and 9.

The Sprocket 12 is connected by Chain to a 1" Sprocket on a $2\frac{1}{2}$ " Rod 14, and a $1\frac{1}{2}$ " Sprocket on Rod 14 drives a 1" Rod 15. Rod 15 is fitted with a 57-tooth Gear 16, and a $\frac{1}{2}$ " Pinion that drives a 57-tooth Gear on a 4" Rod 17. The Gear is loose on Rod 17, but it is pressed by a Collar against a 1" Pulley fitted with a Rubber Ring. This arrangement forms a friction drive that enables the clock hands to be adjusted.

A $\frac{1}{4}$ " Pinion is fixed on Rod 17, behind the 1" Sprocket seen on Rod 15 in Fig. 3. This Pinion is in mesh with a 50-tooth Gear on a $2\frac{1}{2}$ " Rod 18 (Fig. 1) that carries also a 1" Gear, and the 1" Gear engages a similar Gear 19 on a $2\frac{1}{2}$ " Rod 20. Rod 20 is fitted with a $\frac{3}{4}$ " Pinion that drives a 50-tooth Gear 21 on a $2\frac{1}{2}$ " Rod. A $\frac{1}{2}$ " Pinion 22 (Fig. 1) is fixed on the $2\frac{1}{2}$ " Rod outside the Flat Plates 8, and this engages a 57-tooth Gear that is loose on Rod 17. The 57-tooth Gear is spaced from the Flat Plate 8 by a Collar, and the hour hand is bolted to a Double Bracket fixed to the Gear. The hour hand consists of two $2\frac{1}{2}$ " Curved Strips bolted to the Double Bracket, and a Fishplate held by the same bolt is slipped over Rod 17. The minute hand is assembled as shown in Fig. 1, and it is bolted to a Crank fixed on the end of Rod 17.

The drive to the escapement wheel is taken from the 57-tooth Gear 16 to a $\frac{1}{2}$ " Pinion on a $2\frac{1}{2}$ " Rod 23. A 1" Gear is fixed on Rod 23 outside the Flat Plates 8, and it drives a similar Gear on a $2\frac{1}{2}$ " Rod 24. Rod 24 is fitted with a 50-tooth Gear that engages a $\frac{3}{4}$ " Pinion on a $2\frac{1}{2}$ " Rod 25, and a 57-tooth Gear on Rod 25 drives a $\frac{1}{2}$ " Pinion on the escapement shaft 26. This shaft is a 3" Rod, and the escapement wheel, a 3" Sprocket, is fixed outside the Flat Plate 3. Collars are used to hold the gear train Rods in position.

The pallet is a $2\frac{1}{2}$ " \times $\frac{1}{2}$ " Double Angle Strip 27 bent to the shape shown in Fig. 4. It is attached by a bolt to a Collar on a $3\frac{1}{2}$ " Rod 28, mounted in the Triangular Plates and the lower holes of Strips 10. Three Washers



Fig. 2. The clock pendulum and weight "bob."

A New Clock Mechanism

A Fine Subject for Skilled Model-Builders

A CLOCK is one of the most satisfying subjects for Meccano model-builders. Nothing could be more fascinating than setting a clock constructed entirely from Meccano parts to work, and seeing how it ticks off the seconds and marks up the hours with literally "clockwork regularity."

This month we are describing a new and up-to-date clock mechanism that can be incorporated in the grandfather type of casing, or if desired, in the smaller type of case, usually known as the "granddaughter" type. The mechanism is weight driven, and once the escapement mechanism is "set" the clock will keep excellent time and will run for about eight hours on one winding.

The housing for the mechanism is made by bolting two $12\frac{1}{2}$ " Angle Girders at each side to a $5\frac{1}{2}$ " \times $2\frac{1}{2}$ " Flanged Plate 1 and to a $5\frac{1}{2}$ " \times $2\frac{1}{2}$ " Flat Plate 2. The sides are connected at the rear by a $4\frac{1}{2}$ " \times $2\frac{1}{2}$ " Flat Plate 3, and by three $4\frac{1}{2}$ " Strips at each of the points indicated at 4, 5 and 6 (Fig. 3). A $5\frac{1}{2}$ " Angle Girder 7 is held inside each Flanged Plate by the same bolts that fix the $12\frac{1}{2}$ " Angle Girder in position, and Girders 7 are connected by two $4\frac{1}{2}$ " \times $2\frac{1}{2}$ " Flat Plates 8. Two

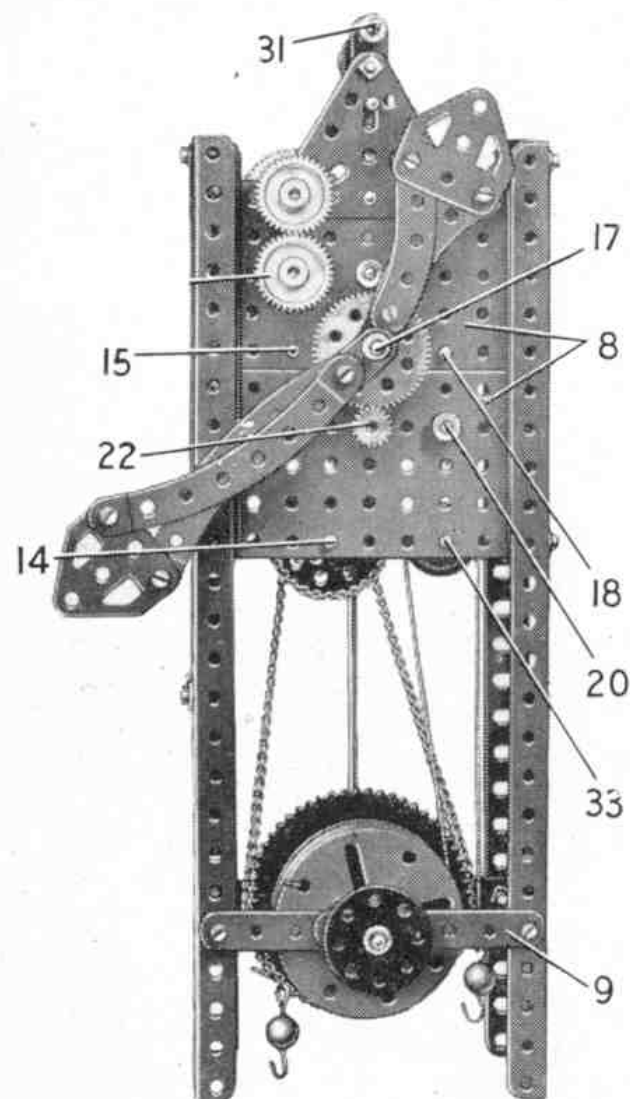


Fig. 1. A weight-driven timekeeping mechanism that can be used in either a wall or a grandfather type clock.

$4\frac{1}{2}$ " Strips 9, placed face to face, are bolted in place as shown in Fig. 3. A $2\frac{1}{2}$ " Triangular Plate is fixed to the Flat Plate 3 and the upper Flat Plate 8, and the Triangular Plates are extended upward by $1\frac{1}{2}$ " Strips 10.

A double winding barrel for the Cords supporting the weights is assembled from three Wheel Flanges and three Face Plates. Two of the Wheel Flanges are placed between two Face Plates to make the drum for one of the Cords, and the second drum consists of a single Face Plate and Wheel Flange. The parts forming the drums are clamped tightly together by four $1\frac{1}{2}$ " Bolts, and the drums are fixed by the set-screws in the Face Plates to a 4" Rod. A Ratchet Wheel 11 is fixed on the Rod, and a 3" Sprocket 12 is free to rotate between the Ratchet and the Strips 6. The Sprocket is fitted with a Pawl 13, freely mounted on a $\frac{3}{4}$ " Bolt fixed by two nuts in the Sprocket. The Pawl is held against the teeth of the Ratchet by a $2\frac{1}{2}$ " Driving Band, which is passed through the hole in the Pawl and is looped over a $\frac{1}{2}$ " Bolt fixed by two nuts in the Sprocket. The bearings for the 4" Rod are reinforced by Double Arm Cranks bolted to Strips 6 and 9.

The Sprocket 12 is connected by Chain to a 1" Sprocket on a $2\frac{1}{2}$ " Rod 14, and a $1\frac{1}{2}$ " Sprocket on Rod 14 drives a 1" Rod 15. Rod 15 is fitted with a 57-tooth Gear 16, and a $\frac{1}{2}$ " Pinion that drives a 57-tooth Gear on a 4" Rod 17. The Gear is loose on Rod 17, but it is pressed by a Collar against a 1" Pulley fitted with a Rubber Ring. This arrangement forms a friction drive that enables the clock hands to be adjusted.

A $\frac{1}{4}$ " Pinion is fixed on Rod 17, behind the 1" Sprocket seen on Rod 15 in Fig. 3. This Pinion is in mesh with a 50-tooth Gear on a $2\frac{1}{2}$ " Rod 18 (Fig. 1) that carries also a 1" Gear, and the 1" Gear engages a similar Gear 19 on a $2\frac{1}{2}$ " Rod 20. Rod 20 is fitted with a $\frac{3}{4}$ " Pinion that drives a 50-tooth Gear 21 on a $2\frac{1}{2}$ " Rod. A $\frac{1}{2}$ " Pinion 22 (Fig. 1) is fixed on the $2\frac{1}{2}$ " Rod outside the Flat Plates 8, and this engages a 57-tooth Gear that is loose on Rod 17. The 57-tooth Gear is spaced from the Flat Plate 8 by a Collar, and the hour hand is bolted to a Double Bracket fixed to the Gear. The hour hand consists of two $2\frac{1}{2}$ " Curved Strips bolted to the Double Bracket, and a Fishplate held by the same bolt is slipped over Rod 17. The minute hand is assembled as shown in Fig. 1, and it is bolted to a Crank fixed on the end of Rod 17.

The drive to the escapement wheel is taken from the 57-tooth Gear 16 to a $\frac{1}{2}$ " Pinion on a $2\frac{1}{2}$ " Rod 23. A 1" Gear is fixed on Rod 23 outside the Flat Plates 8, and it drives a similar Gear on a $2\frac{1}{2}$ " Rod 24. Rod 24 is fitted with a 50-tooth Gear that engages a $\frac{3}{4}$ " Pinion on a $2\frac{1}{2}$ " Rod 25, and a 57-tooth Gear on Rod 25 drives a $\frac{1}{2}$ " Pinion on the escapement shaft 26. This shaft is a 3" Rod, and the escapement wheel, a 3" Sprocket, is fixed outside the Flat Plate 3. Collars are used to hold the gear train Rods in position.

The pallet is a $2\frac{1}{2}$ " \times $\frac{1}{2}$ " Double Angle Strip 27 bent to the shape shown in Fig. 4. It is attached by a bolt to a Collar on a $3\frac{1}{2}$ " Rod 28, mounted in the Triangular Plates and the lower holes of Strips 10. Three Washers



Fig. 2. The clock pendulum and weight "bob."

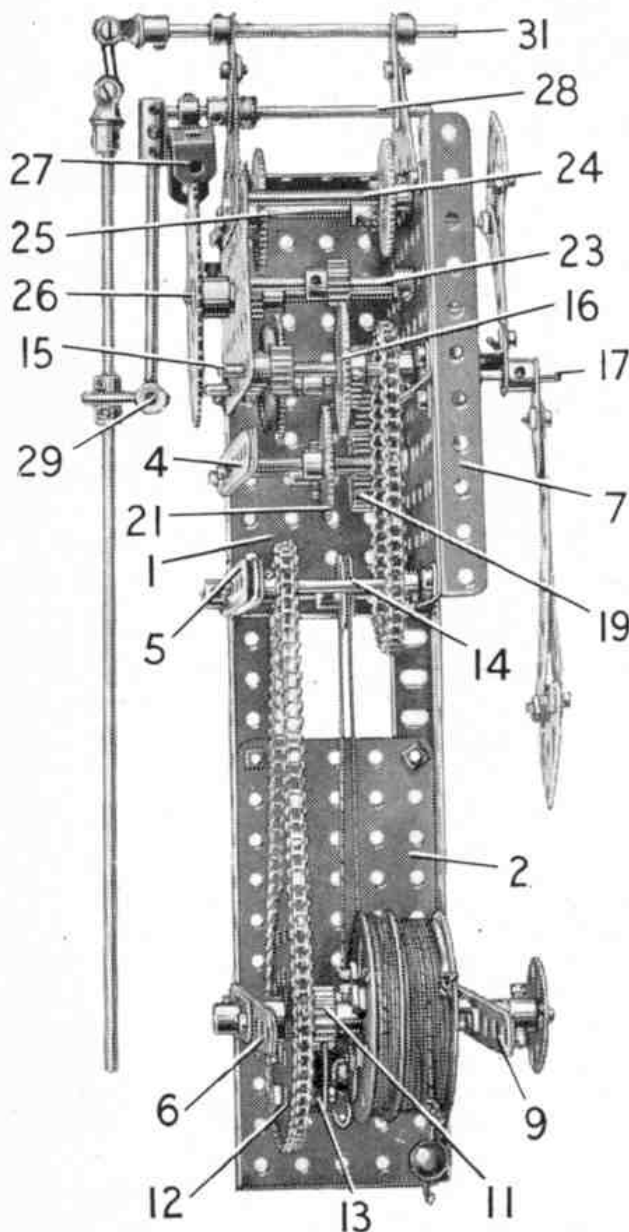


Fig. 3. Details of the gear trains are seen in this side view of the clock.

are placed on the bolt before it is passed through the Double Angle Strip. Rod 28 is fitted at its outer end with a Coupling, and a 4" Rod held in this Coupling carries a Coupling 29. Two 1" Rods are fixed in Coupling 29 to form the crutch for the pendulum.

The pendulum consists of an 11½" and an 8" Rod connected by a Coupling, and extended by a 6" Screwed Rod held in a Threaded Coupling. The bob weight is made by bolting a Boiler End to a Face Plate by means of two ¾" Bolts. The Screwed Rod is passed through opposite holes in the Boiler End, and nuts are used to keep the weight in position.

An End Bearing 30 is fixed to the upper end of the pendulum, and two short lengths of spring wire are clamped in it by a nut and bolt. The lengths of wire are fixed also in a second End Bearing that is held on a 3½" Rod 31. The Rod is passed through the top holes of Strips 10 and retained in place by Collars. Two Collars 32 are fixed to the pendulum, one on either side of the 1" Rods in Coupling 29.

Lengths of Cord are tied to the drums of the winding barrel, and are wound round the drums anti-clockwise. One length is passed over a 1" Pulley on a 2½" Rod 33, and the free ends of both lengths of Cord are fitted with small Loaded Hooks. The clock weights

are Boilers complete with Ends filled with lead scrap, and they are attached to the Loaded Hooks.

The clock is wound by a Bush Wheel fixed on the end of the Rod that carries the winding drums, and a key can be made by bolting two 2½" Angle Girders to a second Bush Wheel. The Angle Girders are first joined together by ¾" Bolts passed through elongated holes, and the shanks of these Bolts are then slipped through holes in the Bush Wheel and are held in place by nuts. The boss of the Bush Wheel fits in the channel formed by the flanges of the Angle Girders, and the projecting ends of the ¾" Bolts can be inserted in holes in the Bush Wheel on the end of the winding shaft.

The clock requires careful adjustment, but once the correct setting has been obtained it will keep good time. The Double Angle Strip 27 should be bent so that when it is horizontal and the pendulum is vertical, the lugs of the Double Angle Strip just clear the teeth of the Sprocket. When the pendulum is in motion the escapement wheel is allowed to move the space of one tooth for each swing.

The positions of the Collars 32 must be adjusted so that they leave just sufficient play for the pendulum to swing freely. The clock is regulated by altering the position of the bob weight on the Screwed Rod. If the clock gains in time the position of the bob should be lowered, while if it loses time a higher position on the Screwed Rod is wanted.

Parts required to build the Clock Mechanism: 10 of No. 2a; 2 of No. 6a; 4 of No. 8; 2 of No. 9; 1 of No. 10; 1 of No. 11; 1 of No. 13; 1 of No. 13a; 3 of No. 15b; 2 of No. 16; 9 of No. 16a; 1 of No. 16b; 2 of No. 18b; 2 of No. 22; 1 of No. 24; 3 of No. 25; 4 of No. 26; 3 of No. 27; 4 of No. 27a; 4 of No. 31; 41 of No. 37; 21 of No. 37a; 40 of No. 38; 1 of No. 40; 1 of No. 48a; 2 of No. 52; 3 of No. 53a; 2 of No. 57c; 17 of No. 59; 1 of No. 62; 2 of No. 62b; 3 of No. 63; 1 of No. 63c; 2 of No. 70; 2 of No. 76; 1 of No. 79a; 2 of No. 89b; 2 of No. 90; 1 of No. 94; 1 of No. 95a; 2 of No. 95b; 2 of No. 96; 4 of No. 109; 3 of No. 111; 1 of No. 111a; 7 of No. 111c; 4 of No. 111d; 2 of No. 126a; 3 of No. 137; 1 of No. 147a; 1 of No. 148; 1 of No. 155; 2 of No. 162; 1 of No. 162a; 2 of No. 166; 1 of No. 186.

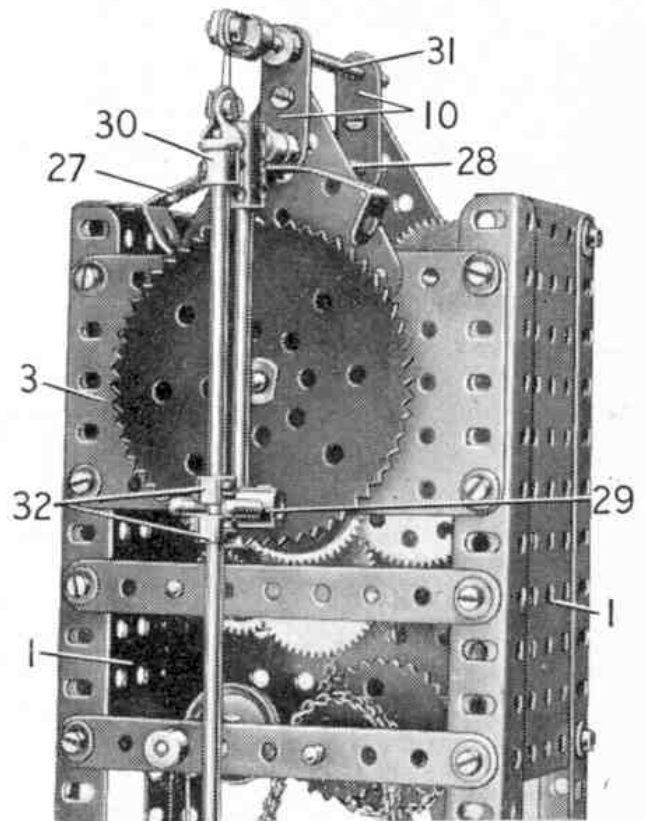


Fig. 4. The back of the clock showing details of the escapement device.