

New Meccano Models

Electric Truck and Swing Bridge

THE attractive electric truck shown in Figs. 1 and 2 is based on the small vehicles used for transporting goods and

mounted in one of the Strips 6 and in a 1" x 1" Angle Bracket fixed to the panel 4. The Rod is held in position by a Spring Clip and a Collar, and it carries at its lower end a 1" Pulley 8. A length of Cord is tied to the Double Angle Strip 2 at 9, passed round the Pulley 8, and through a Stepped Bent Strip 10. The Cord is then tied again to the Double Angle Strip 2 at point 9.

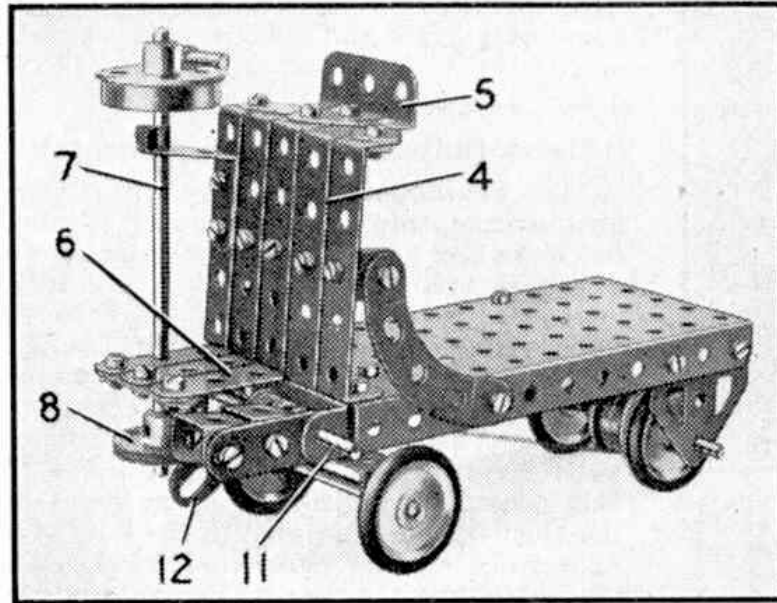


Fig. 1. A neat electric truck that makes a good subject for a small Outfit.

parcels in factories, warehouses, railway stations, etc. The model is fitted with a simple steering mechanism, and with a pedal-operated brake acting on a drum fitted to the rear axle.

A 5½" x 2½" Flanged Plate is used for the chassis and load platform of the model, and the rear wheels are fixed on a 3½" Rod mounted in Flat Trunnions bolted to the Flanged Plate. The Rod carries between the Flat Trunnions a drum 1 formed by two ¾" Flanged Wheels. The front wheels are fixed on a 2½" Rod carried in a 1½" x ½" Double Angle Strip 2. A ½" Bolt is passed through the centre hole of the Double Angle Strip, and is fixed by two nuts in a Double Bent Strip 3. A ½" loose Pulley is used to space the axle unit from the Double Bent Strip, and the assembly is bolted to the 5½" x 2½" Flanged Plate.

A dividing panel 4 is made from five 2½" x ½" Double Angle Strips bolted to the Flanged Plate. A small radius Curved Strip is used to connect the outer Double Angle Strips, and a Trunnion 5 is bolted to the Curved Strip and to the lug of the centre Double Angle Strip. Three 2" Strips 6 form a platform for the driver. Steering is controlled by a 4½" Rod 7,

The brake pedal is made from a Crank fitted with two Double Brackets. The Crank is fixed on a 3½" Rod 11, which is carried in a 2½" x ½" Double Angle Strip bolted to the front of the Flanged Plate. Rod 11 is fitted with a second Crank 12, and one end of a length of Cord 13 is tied to the Crank. The Cord is passed through an Angle Bracket 14, led twice round the drum 1 and finally is tied to the Double Bent Strip 3.

Parts required to build model Electric Truck:

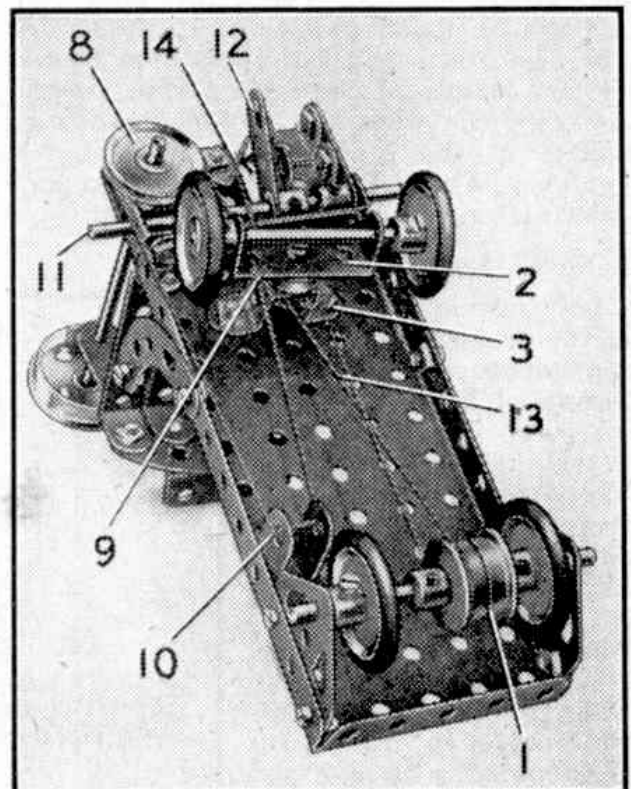


Fig. 2. An underneath view of the truck showing the arrangement of the steering and brake cords.